

AL-KO

QUALITY FOR LIFE

ENDURO AIR

ALL TERRAIN SUSPENSION

PREMIUM AIR RIDE



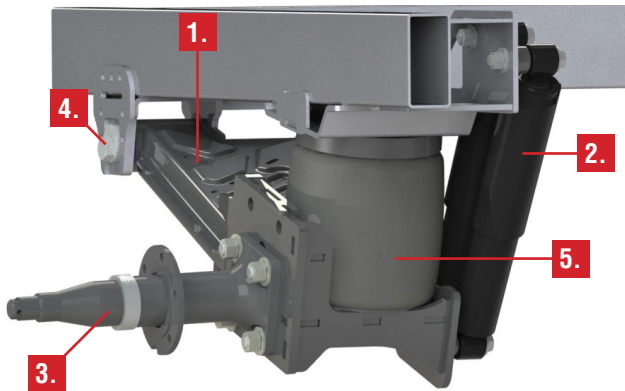
5
YEARS
WARRANTY

AL-KO
WARRANTY

TESTED | PROVEN | CONFIDENCE

PREMIUM OFFROAD PERFORMANCE

Unlock new horizons and explore with confidence. Whether you're tackling rocky terrains or navigating through challenging landscapes, AL-KO ENDURO X Air ensures a premium smooth ride.



1. Exclusive optimised construction for strength and lower unsprung weight for performance.
2. Premium AL-KO dual in-line shock absorbers
3. Forged bolt-on stub.
Drum or Disc brake options
4. Tow & Camber adjustment
5. Premium Air Bag Man quality



5 YEARS WARRANTY
TESTED | PROVEN | CONFIDENCE

ENDURO X Air is engineered to withstand the extreme conditions and deliver optimal all terrain performance. Exclusive new technology has delivered tough construction with improved handling, premium AL-KO shock absorbers with upgraded metal casing, and finished with a durable black eCoat to ensure heavy duty rust and chip resistance. Australian conditions demand resilience, ENDURO X is your partner to conquer your adventures.

Specification	ENDURO X AIR
Terrain Suitability	All Terrain
Replaceable Stub Axle	✓
Maintenance Free Bushes	✓
Shock Absorber	2 x Premium Shock Absorbers
AL-KO Premium Brakes	Off-Road Premium
Finish	Automotive eCoat
Wheel travel	140mm
Suspension Height	215mm (stub lower position)* 165mm (stub upper position)* <small>*at optimal 190mm air bag height</small>
Maximum GTM Capacity	Single - 2500kg GTM Tandem - 4100kg GTM
Disc brake Option	✓
Tow Assist Option	✓

3 Levels of control for practical operation.



Standard Air Bag Control

- ▮ Manual Inflation Point
- ▮ Heavy Duty 12V Compressor
- ▮ Extended Reach Tyre Inflation Coil & Wand
- ▮ Aluminum Air tank (11litres, 3 port, drain tap)



Wireless Air Bag Control

- ▮ Manual Inflation Point
- ▮ Heavy Duty 12V Compressor
- ▮ Wireless Remote Control Activation
- ▮ Extended Reach Tyre Inflation Coil & Wand
- ▮ Aluminum Air tank (11litres, 3 port, drain tap)
- ▮ Automatic moisture trap



Auto Levelling Air Bag Control

- ▮ Manual inflation points
- ▮ Heavy Duty 12V Compressor
- ▮ Extended Reach Tyre Inflation Coil & Wand
- ▮ Aluminum Air tank (11litres, 3 port, drain tap)
- ▮ Automatic moisture trap
- ▮ Self levelling

Safety Pack - Upgrade to Tow Assist ABS and Sway Mitigation (Available for Electric Brakes.)

Introducing AL-KO Tow Assist®, the world's first ABS braking system for caravans. Keep your family safe when combining Enduro suspension with AL-KO Tow Assist®. Developed in collaboration with Bosch, Tow Assist® brings the most advanced automotive level safety systems to caravans to protect you and all the important things in your life. With AL-KO and Bosch, you're in safe hands.



ELECTRIC ABS BRAKES



SWAY MITIGATION



TOWABLE ODOMETER



EVASIVE ACTION CONTROL