

AL-KO ESC OPERATING INSTRUCTIONS & WARRANTY DETAIL

Save This Manual. Keep this manual for the assembly, operation and maintenance procedures. Keep this manual in a safe place for future reference.

WARNING

Read this manual before
using this product.

RETAIN THIS MANUAL.



Instructions for use

The ESC must be connected to the power supply in the tow vehicle using a 12 pin trailer connector or separate 2 pin connector.

The ESC automatically completes a self test when power is connected to check that everything is working and connected correctly. The LED status light, located at the front of the caravan, will display red during the test. Once the test is complete, the LED status light will turn green. The ESC is then operational and ready for use.

Occasionally the LED will flash green and then requires some movement to complete the test, if this occurs the vehicle should be driven a short distance and the LED status light rechecked for a solid green LED to make sure that the system is working correctly.

When a sway or swerve occurs during your trip, the ESC will detect the critical movement of the caravan and the ESC will automatically activate the brakes to a preset amount.

If the LED status light turns red at any time a minor problem has been detected. It is safe to drive but the ESC will not activate during a critical sway or swerve until the problem has been addressed and the green light restored. Refer to the Troubleshooting section to determine the corrective steps.

If the LED status light flashes red continuously at 1 second intervals, a serious problem has been detected and the ESC will no longer operate. The ESC should not be used and must be disconnected before driving further. Refer to the Troubleshooting section to determine the next steps.

Off road use:

The ESC should be disconnected for serious off road use because the severe tilting of the trailer and bumps experienced during off road driving may cause the ESC to inadvertently activate the brakes. For vehicles intended to be taken on extreme off road use it is recommended that the ESC is connected to the tow vehicle using a separate 2 pin connector rather than the normal 12 pin connector. This enables the user to disconnect the ESC during these periods of extreme off road use. The ESC should be immediately re-connected when on less severe road conditions. AL-KO ESC is safe to use on unpaved roads.

Maintenance

The connector on the caravan and tow vehicle must be lubricated with a water dispersant spray and checked regularly for corrosion to ensure that the ESC will function correctly. Replace the connector once it displays evidence of corrosion. Otherwise the ESC is maintenance free and requires no adjustment. Note that the electric brakes must be adjusted correctly and working well for the ESC to operate effectively. Maintenance of your electric brakes is important and should be carried out as described in the electric brake service manual. Before starting any journey, operate the manual control of your electric brakes to ascertain that they are operating effectively.

Frequently asked questions

Q. How do I know if the ESC has activated?

A. Soft braking of the caravan should be noticed in the car.

Q. Do the caravan brake lights function when the ESC is activated during a manoeuvre?

A. No. Neither do the brake lights on your tow vehicle when its ESC is activated. The ESC applies the caravan brakes to correct alignment rather than to stop the combination, so stop light illumination is not appropriate.

Troubleshooting

The ESC will indicate if there are any problems with the system by changing the LED status light to red for minor problems or flashing red for a serious problem.

Red Status Light

Disconnect the ESC for 10 seconds and then reconnect.

If the red light remains on, then check for the following problems:

Loose contacts

Check that the ESC is connected properly and that the connectors are not dirty or corroded.	Clean or replace the connector and terminals.
Check that the power cables to the ESC are in good condition and are not damaged.	Repair damaged cable or replace loom.
Check that the ESC module under the caravan has not become dislodged.	Reattach the ESC firmly in the correct location.

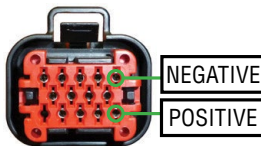
Electric brakes are not all connected

Check that the ESC is connected to approved electric brakes.	Fit approved electric brakes
Check that ALL the brakes are connected correctly.	Reconnect or replace brakes as required.
Check that the brake magnets are not damaged	Repair or replace if necessary.

Under voltage/over voltage

Check that the tow vehicle is fitted with a 12 volt battery.	Use only tow vehicles with 12 volt batteries.
Check that the power is supplied directly from the tow vehicle battery and the connection to the battery is good.	Reconnect the power supply directly to the battery.
The 12 pin connector may have poor connection or the cables in the tow vehicle may be damaged or undersized.	Repair any damaged cables. Clean the 12 pin connector.
Check with a voltmeter that 12 volts is reaching the 12 pin connector at the rear of the tow vehicle.	Replace cables and/or connector if required.

The ESC connector may have poor connection or the cables in the caravan may be damaged. Check with a voltmeter that 12 volts is reaching the connector at the ESC under the caravan. Measure the voltage at the ESC connector, the power supply contacts are shown here.



Clean the connector.
Replace the connector if necessary.
Repair any damaged cables or replace cables if necessary.

After completing each check, reconnect the ESC. When the LED status light turns green the ESC is fully functional and the caravan is safe to tow.

Flashing Red Status Light

If the ESC status light flashes red constantly each second, disconnect the ESC before driving by unplugging the connector to the ESC under the caravan. Contact AL-KO and return the ESC module for repair or replacement.

If the ESC status light flashes red very quickly occasionally when the ESC has no power, this is feedback from the brake controller and is not a problem.

Status Light is OFF

No power to the ESC

Check that the 12 pin connector is plugged in to the tow vehicle.

Reconnect the 12 pin connector.

Check that ESC connector is plugged into the ESC under the caravan.

Reconnect the ESC connector.

No power supplied from tow vehicle. Check for 12 volts at the 12 pin connector & check fuse (If fitted).

Repair any damaged cables.

Clean the 12 pin connector.

Replace fuse if required.

Replace cables and/or connector if required

No power at ESC connector. Check for 12 volts at ESC connector.

Clean the connector.

Repair any damaged caravan cables or replace if necessary

Check that the cables are not damaged.

Repair or replace the cables if necessary.

LED status light is faulty

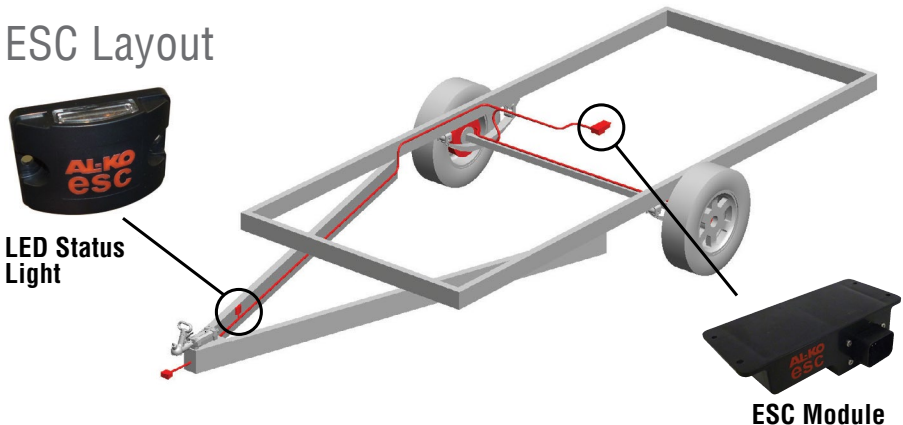
Check voltage supplied to the light is two volts

Replace LED status light

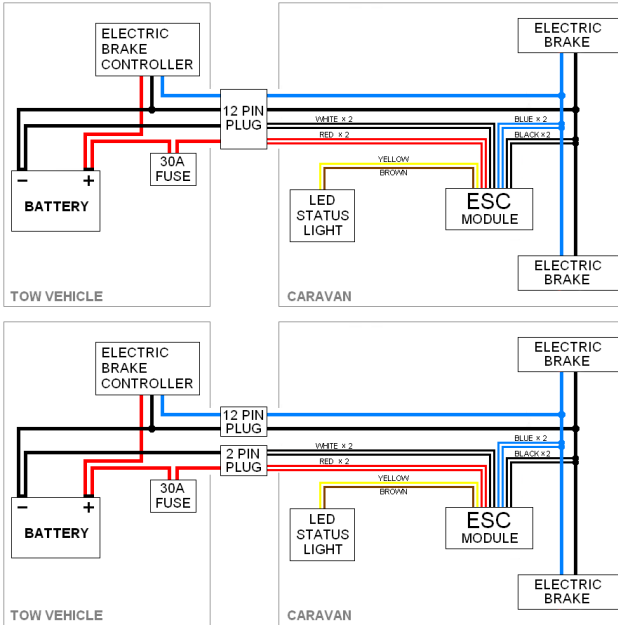
Flashing Green Status Light

A flashing green light indicates that the start up test has been completed but the ESC has not yet detected any movement to confirm that the sensors are working. The ESC will switch to solid green once the ESC detects movement. If the flashing green light continues constantly, contact AL-KO.

ESC Layout



Electric Brake Wiring Diagram



Option 1
ESC power supply via
12 pin connector

Option 2
ESC power supply via
2 pin connector

Vehicle Wiring

The tow vehicle which will be used to tow your caravan or trailer fitted with the ESC must have the power supply for the ESC wired directly to the battery and a 30A fuse or circuit breaker fitted.

The ESC should be connected to the tow vehicle using a standard 12 pin plug or 2 pin connector. The layout for a 12 pin plug varies between manufacturers, contact the manufacturer of your caravan to confirm how your caravan is wired.

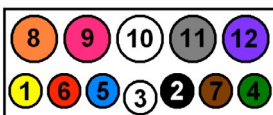
For off road use it is recommended that the ESC is connected to the tow vehicle using a 2 pin plug such as a 50AMP connector to disconnect the ESC for periods of extreme off road driving. A 2 pin connector can be supplied by AL-KO if required (Part number: 350350).

The tow vehicle should be fitted with an approved electric brake controller. Refer to the website FAQ's for an up to date list of compatible controllers. www.alkoesc.com.au

12 pin connector wiring

**(Check with caravan manufacturer as to which pins have been used for ESC)*

PIN # *	Cable Colour	Description
	Red	ESC Power supply – 2 red cables
10	White	ESC Earth – 2 white cables



Plug –
caravan/trailer



Socket –
tow vehicle

AL-KO International Pty Ltd Warranty

Our goods come with guarantees that cannot be excluded under the Australian Consumer Law. You are entitled to a replacement or refund for a major failure and for compensation for any other reasonably foreseeable loss or damage. You are also entitled to have the goods repaired or replaced if the goods fail to be of acceptable quality and the failure does not amount to a major failure.

AL-KO International Pty Ltd (ABN 96 003 066 813) ("AL-KO") provides the following warranty in relation to its Electronic Stability Control or ESC ("Product"). The benefits of this warranty are in addition to any rights and remedies imposed by Australian State and Federal legislation that cannot be excluded. Nothing in this warranty is to be interpreted as excluding, restricting or modifying any State or Federal legislation applicable to the supply of goods and services which cannot be excluded, restricted or modified.

WARRANTY

AL-KO warrants that, subject to the exclusions and limitations below, the Product will be free from defects in materials and workmanship for a period of 3 years from date of purchase.

This warranty is not transferable to a subsequent person if the Product is sold by the original purchaser during the warranty period. If a defect appears in the Product before the end of the warranty period and AL-KO finds the Product to be defective in materials or workmanship, AL-KO will, in its sole discretion, either:

- (a) replace or repair the Product or the defective part of the Product free of charge; or
- (b) cause the Product or the defective part of the Product to be replaced or repaired by a qualified repairer free of charge.

AL-KO reserves the right to replace defective parts of the Product with parts and components of similar quality, grade and composition where an identical part or component is not available.

Goods presented for repair may be replaced by refurbished goods of the same type rather than being repaired. Refurbished parts may be used to repair the goods.

WARRANTY CLAIMS

1. If a fault covered by warranty occurs, the customer must within 7 days contact the dealer from which the Product was purchased, or AL-KO at the contact details listed in this warranty.
2. Any warranty claim must be accompanied by:
 - (a) proof of purchase;
 - (b) full details of the alleged defect; and

(c) any relevant documentation (such as maintenance records).

3. The customer must make the Product available to AL-KO or its authorised repair agent for inspection and testing within 14 days of contacting AL-KO or the dealer in accordance with this warranty claims procedure. If inspection and testing finds no defect in the Product, the customer must pay AL-KO's costs of service work and testing.

4. The cost of transportation to or from AL-KO or the authorised repair agent is to be paid by the customer.

EXCLUSIONS

The warranty will not apply where:

- (a) the Product has been repaired, altered or modified by someone other than AL-KO or an authorised repair agent;
- (b) the Product was improperly installed;
- (c) AL-KO cannot establish any fault in the Product after testing and inspection;
- (d) the Product has been used other than for the purpose for which it was designed;
- (e) the defect in the Product has arisen due to the customer's failure to properly use and maintain the Product in accordance with AL-KO's instructions, recommendations and specifications (including maintenance);
- (f) the Product has been subject to abnormal conditions, including environment, temperature, water, fire, humidity, pressure, stress or similar;
- (g) the defect has arisen due to abuse, misuse, neglect or accident;
- (h) the defect has arisen due to a power surge or other fault in the supply of electricity; or
- (i) unauthorised parts or accessories have been used on or in relation to the Product.

LIMITATIONS

AL-KO makes no express warranties or representations other than set out in this warranty. The repair or replacement of the Product or part of the Product is the absolute limit of AL-KO's liability under this express warranty.

CONTACT

AL-KO International Pty Ltd

67 Nathan Road, Dandenong South,
Victoria, 3175

Phone: (03) 9997 4500

Email: info.aus@alko-tech.com



Register your warranty at

www.alko.com.au



Option 1. Scan the above QR code

Option 2. Visit alko.com.au/warranties

SERIAL No.	_____
INSTALLER	_____
DATE	/ /

The personal information disclosed to us by you will be used for the purposes of identifying you if you wish to make a claim under the warranty, and for dealing with that claim. We may also use your information to communicate with you about our product and promotions.

Your information will only be disclosed to third parties where necessary to assess or complete your claim such as suppliers or distributors of our products, or to government bodies such as Vic Roads (or equivalent). If you do not complete all the information contained on the card, we may not be able to provide you with a warranty.

If you would like to access the personal information held by us about you, please contact our Privacy Officer on (03) 9997 4500.



Visit
www.alko.com.au
for more information