

# MECHANICAL DISC BRAKES

Disc brakes are used for applications where resistance to corrosion and heat dissipation is paramount.

The open nature of disc brakes makes washing after salt water immersion a simple task.

Disc brakes also allow quicker cooling during brake applications and therefore the disc brake system is less prone to brake fade.

AL-KO Light Duty mechanical disc brake calipers are hot dip galvanised. The bushes, springs and bolts etc are made from stainless steel.

AL-KO Heavy Duty mechanical disc brake calipers are Dacromet® coated for salt water corrosion resistance. The slide pins are made from stainless steel adding to the excellent capacity of this product to continue to function after exposure to corrosive environments.

The mechanical caliper comes in two configurations, forward pull and centre pull as shown in the photos below. Forward pull is used on beam axles whilst centre pull is used when the AL-KO Independent Rubber Suspension (I.R.S.) is used. The simple cable actuation of these calipers and their uncomplicated design makes servicing a task that can be carried out by the "handyman", saving on servicing cost. AL-KO mechanical calipers are suitable for disc hubs and rotors of thicknesses from 12mm to 15mm.

## Light Duty Forward Pull

323102 (Pair)



323300 (Left hand)      323300 (Right hand)

**Recommended maximum load on 13"/14" wheels**  
1300 kg per pair

**Recommended maximum load on 15"/16" wheels**  
1000 kg per pair

**Mounting Detail**

88.9mm centres (3.5") 7/16 UNF

**Max cable pull input (kg) per brake**

200 kg

## Light Duty Centre Pull

323002 (Pair)



323000 (Left hand)      323000 (Right hand)

**Recommended maximum load on 13"/14" wheels**  
1300 kg per pair

**Recommended maximum load on 15"/16" wheels**  
1000 kg per pair

**Mounting Detail**

88.9mm centres (3.5") 7/16 UNF

**Max cable pull input (kg) per brake**

200 kg

## Heavy Duty Forward Pull



323800 (Left hand)      323800 (Right hand)

**Recommended maximum load on 13"/14" wheels**  
2000 kg per pair

**Recommended maximum load on 15"/16" wheels**  
1700 kg per pair

**Mounting Detail**

88.9mm centres (3.5") 12mm

**Max cable pull input (kg) per brake**

300 kg

## Heavy Duty Centre Pull



323850 (Left hand)      323850 (Right hand)

**Recommended maximum load on 13"/14" wheels**  
2000 kg per pair

**Recommended maximum load on 15"/16" wheels**  
1700 kg per pair

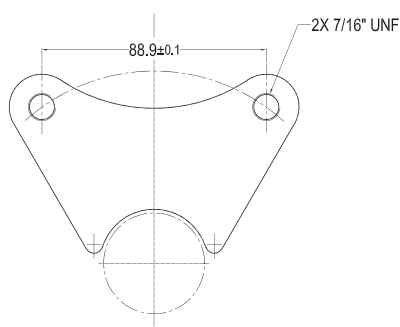
**Mounting Detail**

88.9mm centres (3.5") 12mm

**Max cable pull input (kg) per brake**

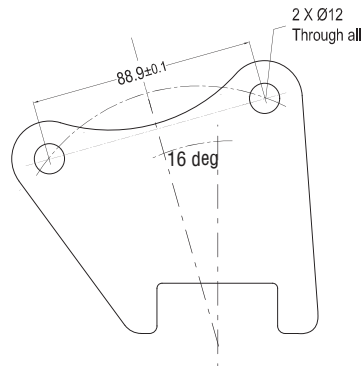
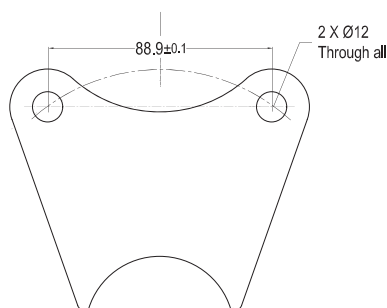
300 kg

## MECHANICAL DISC BRAKE BRAKE MOUNTING PLATES



Light Duty Mount Plate to suit AL-KO Mechanical calipers

PART No.	Description	TO FIT AXLE SIZE	Suits Hub or Rotor
342116	Light Duty Mechanical Caliper Mount plate	39mm Round	Disc hub
342140	Light Duty Mechanical Caliper Mount plate	40mm Square	Disc hub
342145	Light Duty Mechanical Caliper Mount plate	45mm Square	Disc hub
342109	Light Duty Mechanical Caliper Mount plate	45mm Round	Disc hub
342148	Light Duty Mechanical Caliper Mount plate	50mm Square	Disc hub
342177	Light Duty Mechanical Caliper Mount plate	45mm Square	Hub + Disc Rotor
342150	Light Duty Mechanical Caliper Mount plate	50mm Square	Hub + Disc Rotor
342170	Light Duty Mechanical Caliper Mount plate	56mm Round	Hub + Disc Rotor



Heavy Duty Mount Plate to suit AL-KO Mechanical calipers

Heavy Duty Mount Plate angled to suit AL-KO Mechanical calipers

PART No.	Description	Wheel Size	To Fit Axle Size	Suits Hub or Rotor
342115	Heavy Duty (2t) Mechanical Caliper Mount plate	14"	39mm Round	Disc hub
342143	Heavy Duty (2t) Mechanical Caliper Mount plate	13" / 14"	40mm Square	Disc hub
342151	Heavy Duty (2t) Mechanical Caliper Mount plate	13"	40mm Square	Disc hub
342147	Heavy Duty (2t) Mechanical Caliper Mount plate	14"	40mm Square	Disc hub
342122	Heavy Duty (2t) Mechanical Caliper Mount plate	13"	45mm Round	Disc hub
342110	Heavy Duty (2t) Mechanical Caliper Mount plate	14"	45mm Round	Disc hub
342130	Heavy Duty (2t) Mechanical Caliper Mount plate	16"	45mm Round	Disc hub
342149	Heavy Duty (2t) Mechanical Caliper Mount plate angled	14"	50mm Square	2t, 16" Disc hub + Disc rotor
342156	Heavy Duty (2t) Mechanical Caliper Mount plate angled	16"	45mm Square	2t, 16" Disc hub + Disc rotor
342159	Heavy Duty (2t) Mechanical Caliper Mount plate angled	16"	50mm Square	2t, 16" Disc hub + Disc rotor
342175	Heavy Duty (2t) Mechanical Caliper Mount plate	16"	56mm Round	2t, Disc hub + Disc rotor