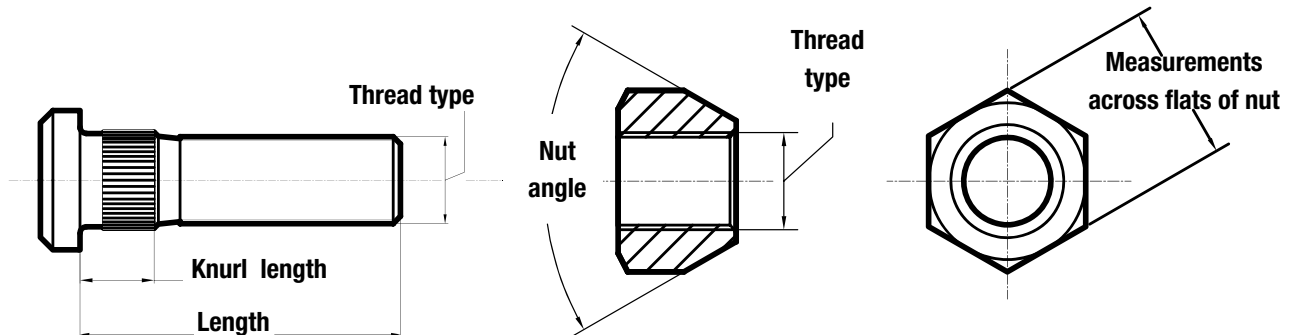


WHEEL STUDS & NUTS

AL-KO wheel studs are all fitted using a knurled section that stops the stud from rotating. Always ensure that only quality studs and nuts are used, which are correct for the wheel selected.



WHEEL STUDS

Part No.	Description	Thread Type & Size	Length From Under Head	Nominal Hole Diameter	Knurl Length From Under Head
490200	7/16" UNF short knurl	7/16" UNF	41mm	13.5mm	5mm
490205	Plated 7/16" UNF short knurl	7/16" UNF	41mm	13.5mm	8mm
490300	1/2" UNF short knurl	1/2" UNF	41mm	13.5mm	9mm
490301	1/2" UNF short knurl industrial	1/2" UNF	51mm	15.5mm	11mm
490301PL	Plated 1/2" UNF short knurl industrial	1/2" UNF	51mm	15.5mm	11mm
490302	1/2" UNF long knurl industrial	1/2" UNF	57mm	15.5mm	21mm
490305	Plated 1/2" UNF Short knurl	1/2" UNF	41mm	13.5mm	9mm
490358	Plated M12 short knurl	M12 x 1.5	41mm	13.5mm	5mm
490340	M14 x 50mm short knurl	M14 x 1.5	50mm	15.5mm	11mm
490345	M14 x 58mm long knurl	M14 x 1.5	58mm	15.5mm	23.5mm
490357PL	Plated M12 short knurl industrial	M12	51mm	15.5mm	11mm
490400	9/16" UNF short knurl	9/16" UNF	50mm	15.5mm	12mm
490401	9/16" UNF long knurl	9/16" UNF	57mm	15.5mm	22mm
490402	9/16" UNF short knurl – for 5 stud L/Cruiser	9/16" UNF	50mm	15.5mm	12mm
490501	5/8" UNF long knurl	5/8" UNF	57mm	17.5mm	22mm
490502	5/8" UNF special – short knurl R/Rover 10" Electric	5/8" UNF	51mm	17.5mm	12mm
490600	7/8" BSF short knurl	7/8" BSF	63mm	23.5mm	17mm
490601	7/8" BSF long knurl	7/8" BSF	70mm	23.5mm	23mm

WHEEL NUTS

Part Number	Description	Thread Type and Size	Nut Angle	Measurement Across Flats of Nut
490251	7/16" UNF x 60°	7/16" UNF	60°	19mm
490350	1/2" UNF x 60°	1/2" UNF	60°	20.5mm
490355	M12 x 60°	M12	60°	19mm
490451	9/16" UNF x 80°	9/16" UNF	80°	23.8mm (15/16")
490460	9/16" UNF x 60° – for 5 stud L/Cruiser	9/16" UNF	60°	22mm
490551	5/8" UNF radius	5/8" UNF	Radius	25.4mm (1")
490650	7/8" BSF	7/8"BSF	80°	31.75mm (1.25")