

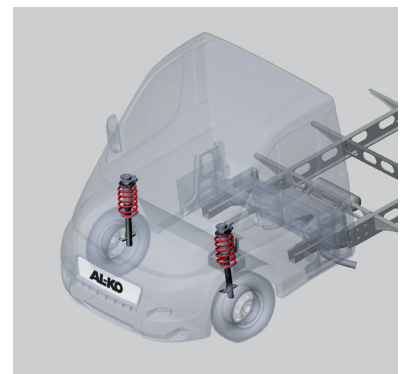
Motorhome Chassis Components

ACS

AL-KO COMFORT SUSPENSION

The AL-KO Comfort Suspension (ACS) for Fiat Ducato front axle motorhome cabs fitted with AL-KO AMC Chassis makes driving both safer and more convenient - simply more driving pleasure. Both the shock absorbers and coil springs are particularly suited to the high front axle loads of motorhomes.

- Linear rate springs with longer travel suspension and optimized shock absorber provides enhanced handling
- Better lateral stability provides greater safety and comfort
- Improved road and driving feel due to faster and more responsive steering
- Upgraded front axle capacity when fitted during AL-KO AMC chassis assembly*
- Specifically designed for the constant high load requirements of Motorhomes
- Raises front ride height by 40mm



* Front axle capacity is increased from 2100kg to 2300kg when fitted by AL-KO on a new vehicle with AMC chassis.
Can be purchased separately for fitment to the standard Fiat chassis, or retrofitted to any 2007 onwards Fiat Ducato heavy, including vans.

AL-KO International Pty Ltd

VIC: 67 Nathan Road, Dandenong South, 3175
NSW: 26 Hallstrom Place, Wetherill Park, 2164
QLD: 13 Union Circuit, Yatala, 4207
NZ: 1 Airpark Drive, Airport Oaks, Mangere, Auckland

Phone (03) 9767 3700
Phone (02) 8784 9400
Phone (07) 3386 6300
Phone (09) 255 5611

Fax (03) 9792 0877
Fax (02) 9725 4557
Fax (07) 3386 6399
Fax (09) 255 5612