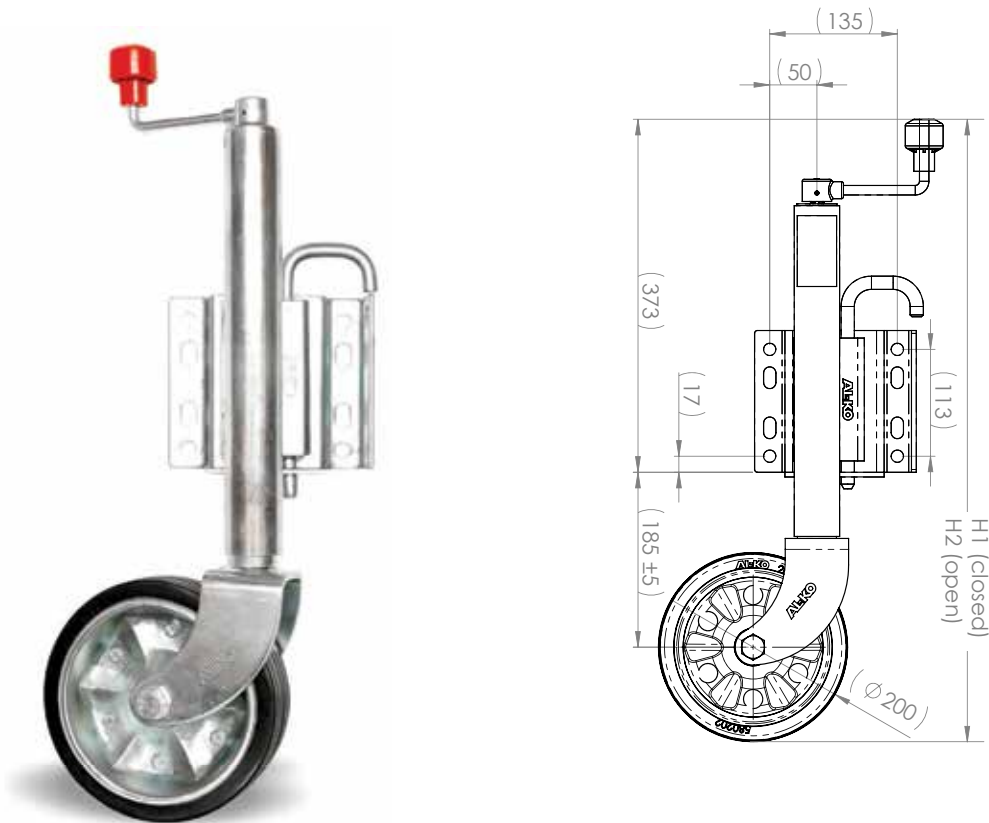


PREMIUM JOCKEY WHEEL WITH VERTICAL LOCKING PIN SWIVEL BRACKET

The AL-KO Premium 8" Heavy Duty Jockey Wheel is ideal for industrial or commercial applications. Added safety comes from the pull pin locking into the swivel bracket limiting lateral forces. With a 500kg static capacity it is a great companion for large plant trailers.

627500



Description

Jockey Wheel, 200mm (8") Vertical locking pin swivel bracket, Zinc

Specifications

Wheel Size (D):	200mm dia.
Mounting:	Swivel
Static Capacity:	500 kg
Tube O.D.:	48mm
Closed H1:	658mm
Open H2:	921mm
Closed G1:	458mm
Open G2:	721mm
U1, U2	55mm, 113mm
W:	135mm
Weight:	11 kg