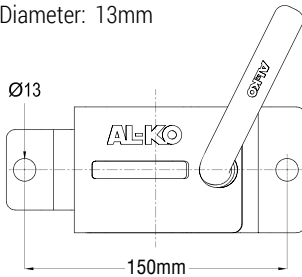


JOCKEY WHEEL CLAMPS & SWIVELS



629900
Jockey wheel clamp.
Suits all AL-KO 48mm O.D. tube clamp type jockey wheels
Mounting detail:
Spacings: 150mm
Diameter: 13mm



629915
Jockey wheel double clamp
suits all AL-KO 48mm O.D. tube clamp type jockey wheels
Mounting detail:
Spacings:
150mm x 50mm
150mm x 100mm
Diameter: 13mm



622200
C - Clamp weld on, bolt on.
suits all AL-KO 48mm O.D. tube clamp type jockey wheels.
Mounting detail:
Spacings:
105mm x 50mm
Diameter: 10mm



629951
JRCH jockey wheel clamp handle&wash including washer with plastic grip



629935
SBLPA - Adjustable swivel clamp.
suits all AL-KO 48mm O.D. tube clamp type jockey wheels.
Mounting detail:
Spacings:
185mm x 50mm,
185mm x 75mm
185mm x 100mm
Diameter: 13mm



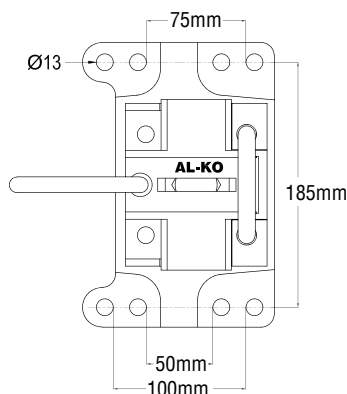
629923
3 Bolt swivel bracket large locking pin bracket only
Mounting detail:
Spacings:
185mm x 50mm,
185mm x 75mm
185mm x 100mm
Diameter: 13mm



629920
SBLP - Swivel bracket locking pin.
suits all AL-KO 48mm O.D. tube jockey wheels.
Mounting detail:
Spacings:
185mm x 50mm,
185mm x 75mm
185mm x 100mm
Diameter: 13mm



629944
SBLPS - Small swivel bracket locking pin.
suits all AL-KO 48mm O.D. tube jockey wheels.
Mounting detail:
Spacings:
185mm x 63mm
Diameter: 13mm



JOCKEY WHEEL SERVICE PARTS



1



629625
Jockey wheel handle, roll pin type.

1



629601
JRH6 - Jockey wheel handle grub screw style.

2



629602SP
Jockey wheel thrust bearing kit, skin pack.
Suits all AL-KO jockey wheels.

3



629600
Spare wheel, 150mm solid tyre.
Suits 626190, 622600

3



629888
Jockey Wheel - 200mm solid tyre c/w steel wheel.
Suits 628200, 622330

3



629850
W250S - Wheel steel type solid 250mm.
suits 621805

3



629455
Jockey Wheel - 200mm solid tyre c/w steel wheel.
Suits 622455

3



629880
Jockey Wheel - 260mm solid tyre c/w steel wheel.
Suits 622800

4



629607
Axle bolt & nyloc nut
suits 150mm wheel



629910
Jockey wheel grip handle for manouevring