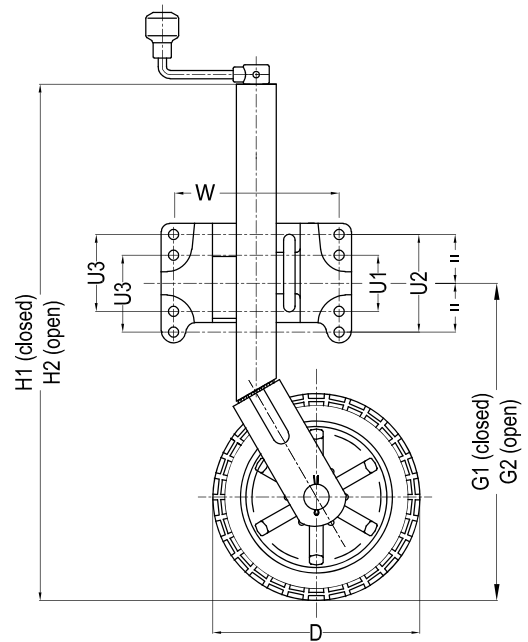


PREMIUM JOCKEY WHEEL WITH LOCKING PIN SWIVEL BRACKET SL TYPE

Ease of use is the benefit when selecting an AL-KO Swivel Bracket Jockey Wheel. No need to remove it from the trailer - just pull the release handle and the jockey wheel rotates into a suitable travelling position. This unique design is covered by Registered Design in Australia and New Zealand. The swivel bracket can be either welded or bolted to the drawbar. A selection of mounting holes allows the use of u-bolts to attach the jockey wheel to the trailer drawbar. Ideal for marine use.



626200
code: JW6SL



Description
AL-KO Premium Jockey Wheel, 150mm (6") lock pin swivel large bracket, Zinc.

Specifications

Wheel Size (D):	150mm dia.
Mounting:	Swivel
Static Capacity:	400 kg
Tube O.D.:	48mm
Closed H1:	510mm
Open H2:	760mm
Closed G1:	305mm
Open G2:	570mm
U1, U2, U3:	63, 113, 88mm
W:	185mm
Weight:	7 kg

628200XP3
code: JW200SL



Description
AL-KO Premium Jockey Wheel, 200mm (8") 3 bolt lock pin swivel bracket, Zinc.

Specifications

Wheel Size (D):	200mm dia.
Mounting:	Swivel
Static Capacity:	400 kg
Tube O.D.:	48mm
Closed H1:	570mm
Open H2:	820mm
Closed G1:	305mm
Open G2:	522mm
U1, U2, U3:	63, 113, 88mm
W:	185mm
Weight:	8.5 kg

623660XP3
code: JW250SL



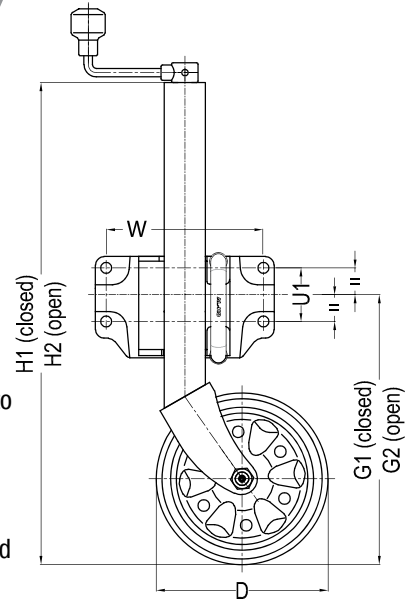
Description
Jockey Wheel, 250mm (10") 3 bolt lock pin swivel bracket, Zinc.

Specifications

Wheel Size (D):	200mm dia.
Mounting:	Swivel
Static Capacity:	400 kg
Tube O.D.:	48mm
Closed H1:	630mm
Open H2:	880mm
Closed G1:	320mm
Open G2:	570mm
U1, U2, U3:	63, 113, 88mm
W:	185mm
Weight:	11 kg

PREMIUM JOCKEY WHEEL WITH LOCKING PIN SWIVEL BRACKET SLS TYPE

Ease of use is the benefit when selecting an AL-KO Swivel Bracket Jockey Wheel. No need to remove it from the trailer - just pull the release handle and the jockey wheel rotates into a suitable travelling position. This unique design is covered by Registered Design in Australia and New Zealand. The swivel bracket can be either welded or bolted to the drawbar. A selection of mounting holes allows the use of u-bolts to attach the jockey wheel to the trailer drawbar. Ideal for marine use.



626204
code: JW6SLS



Description
AL-KO Premium Jockey Wheel, 150mm (6") lock pin swivel small bracket, Zinc.

Specifications

Wheel Size (D):	150mm dia.
Mounting:	Swivel
Static Capacity:	400 kg
Tube O.D.:	48mm
Closed H1:	510mm
Open H2:	760mm
Closed G1:	305mm
Open G2:	570mm
U:	63mm
W:	185mm
Weight:	7 kg

628204
code: JW200SLS



Description
AL-KO Premium Jockey Wheel, 200mm (8") lock pin swivel small bracket, Zinc.

Specifications

Wheel Size (D):	200mm dia.
Mounting:	Swivel
Static Capacity:	400 kg
Tube O.D.:	48mm
Closed H1:	570mm
Open H2:	820mm
Closed G1:	305mm
Open G2:	522mm
U:	63mm
W:	185mm
Weight:	8.5 kg