

WINCHES

PREMIUM MARINE WINCHES

AL-KO Premium Marine Winches come in 5 capacities – 250 kg, 500 kg, 700 kg, 1000 kg and 1200 kg, and are available with cable or webbing.

Perfectly suited for quick boat retrieval onto a multi-roller trailer all 500 kg and above AL-KO Premium Marine Winches are multi speed with 2 or 3 speeds. The 1:1 ratio enables the initial retrieval of the boat onto the rollers and the second (or third) ratios allow for the full weight of your boat to be pulled onto the trailer, with ease.

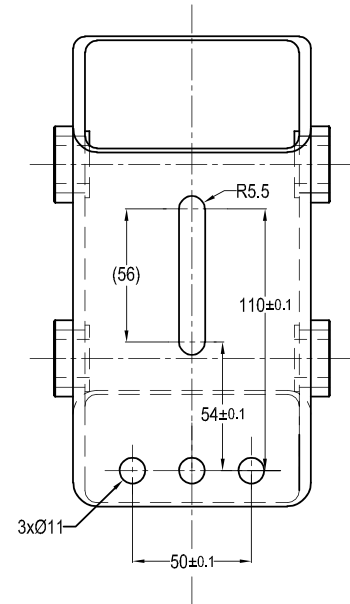
These winches are of the highest quality to ensure long trouble free operation. They feature ultra high strength shaft bushes, a stainless steel drive shaft, drive pawl and spring system for maximum corrosion resistance. A unique feature of the Premium range is the galvanised rectangular frame that provides the high resistance to torsional distortion.

The clever handle design allows quick release and re-attachment to the desired gear shaft without the operator having to jump from one side of the trailer to the other.

The bolt hole patterns suit most existing boat trailers.

The AL-KO winches are covered by registered design.

Winch mounting detail



635003
WPM500



Specifications

Rated Line Pull:	500 kg
Gear Ratio:	3:1 1:1
Hook Type:	"S" Hook
Cable Length:	4mm x 6 mt
Webbing Length:	N/A
Handle Length:	190 mm
Weight:	4.1 kg

635003W
WPM500W



Specifications

Rated Line Pull:	500 kg
Gear Ratio:	3:1 1:1
Hook Type:	"S" Hook
Cable Length:	N/A
Webbing Length:	50mm x 4 mt
Handle Length:	190 mm
Weight:	3.9 kg

635005
WPM700



Specifications

Rated Line Pull:	700 kg
Gear Ratio:	5:11:1
Hook Type:	Snap Hook
Cable Length:	5mm x 6 mt
Webbing Length:	N/A
Handle Length:	190 mm
Weight:	6.9 kg

635005W
WPM700W



Specifications

Rated Line Pull:	700 kg
Gear Ratio:	5:11:1
Hook Type:	Snap hook
Cable Length:	N/A
Webbing Length:	50mm x 6 mt
Handle Length:	190 mm
Weight:	6.8 kg

635010
WPM1000



Specifications

Rated Line Pull:	1000 kg
Gear Ratio:	10:1 5:1 1:1
Hook Type:	Snap hook
Cable Length:	6mm x 7.5 mt
Webbing Length:	N/A
Handle Length:	190 mm
Weight:	8.6 kg

635010W
WPM1000W



Specifications

Rated Line Pull:	1000 kg
Gear Ratio:	10:1 5:1 1:1
Hook Type:	Snap hook
Cable Length:	N/A
Webbing Length:	50mm x 7.5 mt
Handle Length:	190 mm
Weight:	8.1 kg

635015
WPM1200



Specifications

Rated Line Pull:	1200 kg
Gear Ratio:	15:1 5:1 1:1
Hook Type:	Snap hook
Cable Length:	6mm x 7.5 mt
Webbing Length:	N/A
Handle Length:	190 mm
Weight:	8.7 kg

635015W
WPM1200W



Specifications

Rated Line Pull:	1200 kg
Gear Ratio:	15:1 5:1 1:1
Hook Type:	Snap Hook
Cable Length:	N/A
Webbing Length:	50mm x 7.5m
Handle Length:	190 mm
Weight:	-

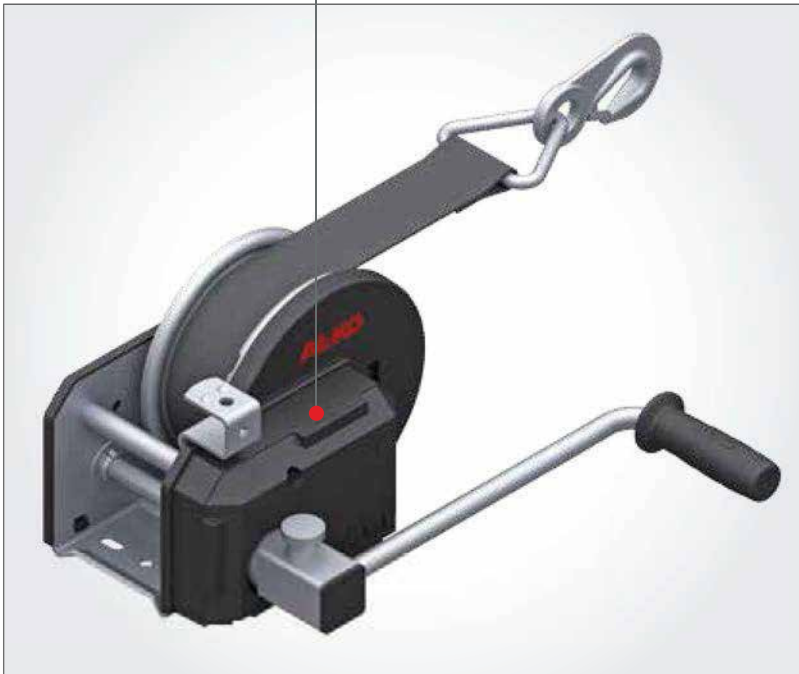
AL-KO SAFETY WINCHES (LESS CABLE)

The AL-KO range of safety winches provide the muscle that ensures problems in lifting, lowering, manoeuvring or positioning heavy loads are a thing of the past. Whether it's caravans on boggy ground, boat trailers up ramps, irrigation pumps up riverbanks, rubble sliding up scaffolding, erecting lighting towers on highways, etc - whatever the task there is an AL-KO winch to match the job.

Made to the strictest safety and quality control ensures you get the best safety winch

LOAD PRESSURE BRAKE

Automatic



SURFACE TREATMENT

High-quality zinc-nickel coating approx. 400 hours salt spray test

YOUR ADVANTAGE

- Modern design
- Automatic weight brake
- Plastic gear cover
- High-quality corrosion protection
- Cable drum with plain bearing
- Range: 350 / 500 / 900 kg

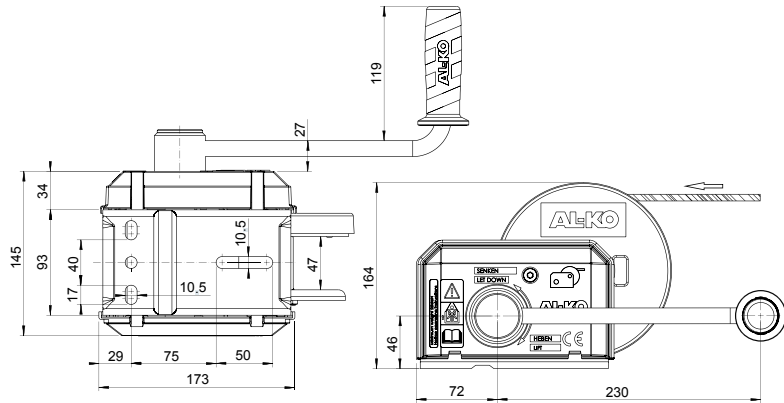
631235
991225998



AL-KO Safety winch, No cable

Specifications

Capacity:	350 kg
Gear Ratio:	2.50:1
Manual Force	200 N
4mm Cable capacity:	15mt
Webbing capacity:	4mt
Weight without cable:	2.0 kg



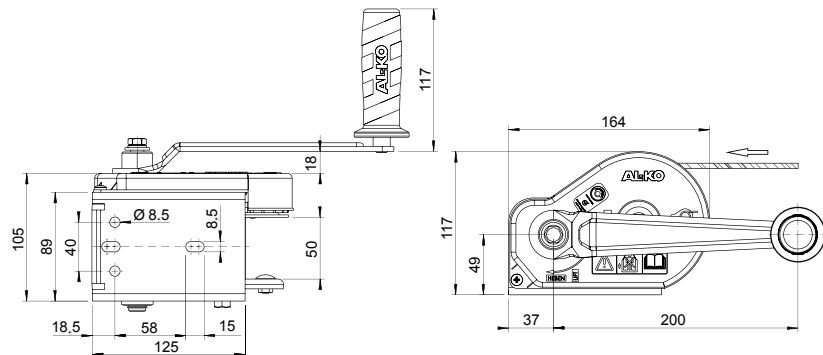
631250
991730003



AL-KO Safety winch, No cable

Specifications

Capacity:	500 kg
Gear Ratio:	3.75:1
Manual Force	200 N
5mm Cable capacity:	20mt
Webbing capacity:	7mt
Weight without cable:	5.0 kg



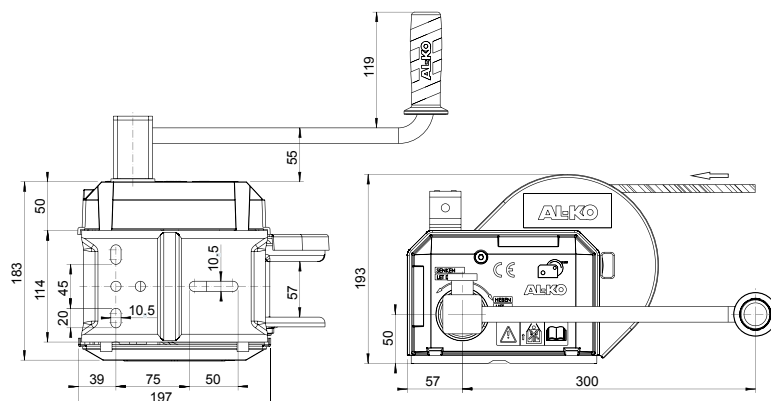
631290
991730010



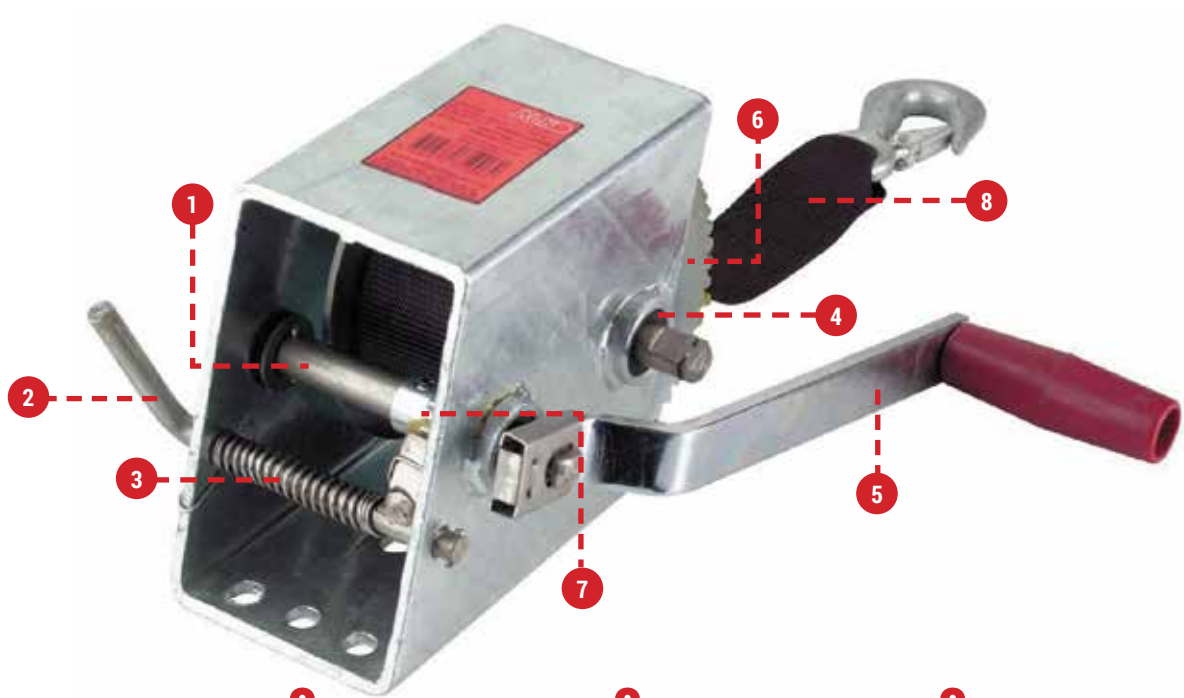
AL-KO Safety winch, No cable

Specifications

Capacity:	900 kg
Gear Ratio:	8.75:1
Manual Force	190 N
7mm Cable capacity:	20mt
Webbing capacity:	10mt
Weight without cable:	8.0 kg



Premium Winch Service & Spare Parts



8

8

8

8



632950
Winch cable, 4mm x 6m with "S" hook.
suits 1:1 and 3:1



632960
Winch cable, 5mm x 7.5m with snap hook.
suits 5:1.



632970
Winch cable, 5mm x 6m with snap hook.
suits 5:1.



632980
Winch cable, 6mm x 7.6m with snap hook.
suits 10:1 and 15:1

8

8

8



632923
Winch webbing, 50mm x 4m with "S" hook.
suits 1:1 and 3:1



632920
Winch webbing, 50mm x 6m with snap hook
suits 5:1



632922
Winch webbing, 50mm x 7.5m with snap hook.
suits 10:1 and 15:1

1



632501
Winch shaft, stainless steel
16 x 139mm
suits 1:1 3:1 5:1

1



632502
Winch shaft, stainless steel
16 x 149mm
suits 10:1

1



632504
Winch shaft, stainless steel
20 x 149mm
suits 10:1

1



632505
Winch shaft, stainless steel
20 x 187mm
suits 15:1

2



632511
Winch pawl stainless steel
suits 1:1 3:1 5:1

2



632513
Winch pawl stainless steel
suits 15:1

3



632521
Winch pawl spring stainless steel
suits 1:1 3:1

3



632523
Winch pawl spring stainless steel
suits 10:1 5:1 1:1

3



632524
Winch pawl spring stainless steel
suits 15:1

4



632532
Winch bush 20mm
suits 10:1 15:1

4



632531
Winch bush 16mm
suits 1:1 3:1 5:1

5



635905
Winch Handle, 190mm
suits All premium winches

6



632551
Winch drum & gear *
suits 1:1 3:1

7



632553
Winch drum & gear *
suits 10:1 15:1

7



632541
Pinion Gear 16mm bore
suits 1:1 3:1 5:1 10:1 15:1

7



632542
Idler gear suits *
suits 10:1
632543
Idler gear suits
suits 15:1

*NB Special order / may not be stocked